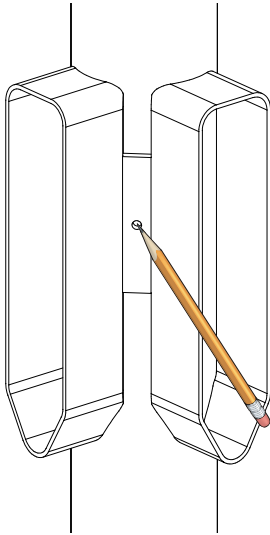
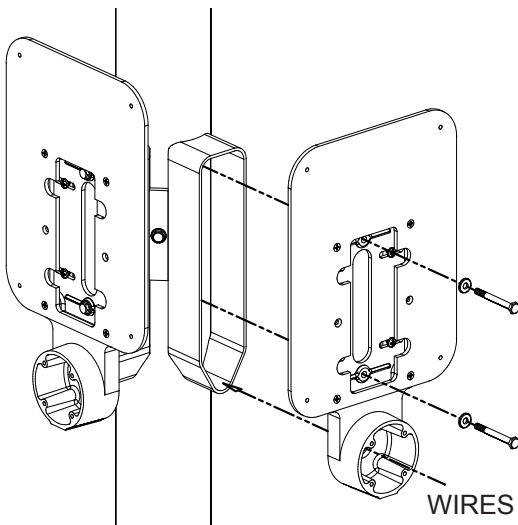
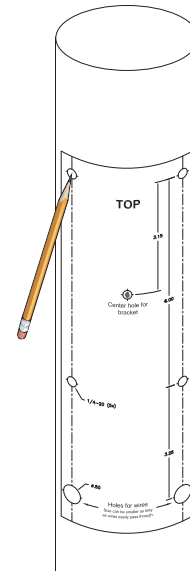


ADAPTER FOR MOUNTING TWO 9X12 PUSH BUTTON FRAMES ON A 4.5" POLE



Hold bracket on pole at height and location where you want Push Button Frames positioned. Mark on pole the location of the center hole in the bracket.

Hold template provided so mark on pole lines up with center hole in template. Make sure template is straight and square to ground, then mark the remaining six holes. Hold bracket to pole and visually check to see if marks appear correctly located. Drill and tap the four upper frame mounting holes to 1/4-20. Drill two wire guide holes to a diameter that provides adequate clearances for the button wires.



Mount bracket to pole using 1" long 1/4-20 bolt and washer (provided). Route button wires through wire holes, then through the frame holes. Bolt frames to pole using 3" long 1/4-20 bolts and washers (provided).

TOP

