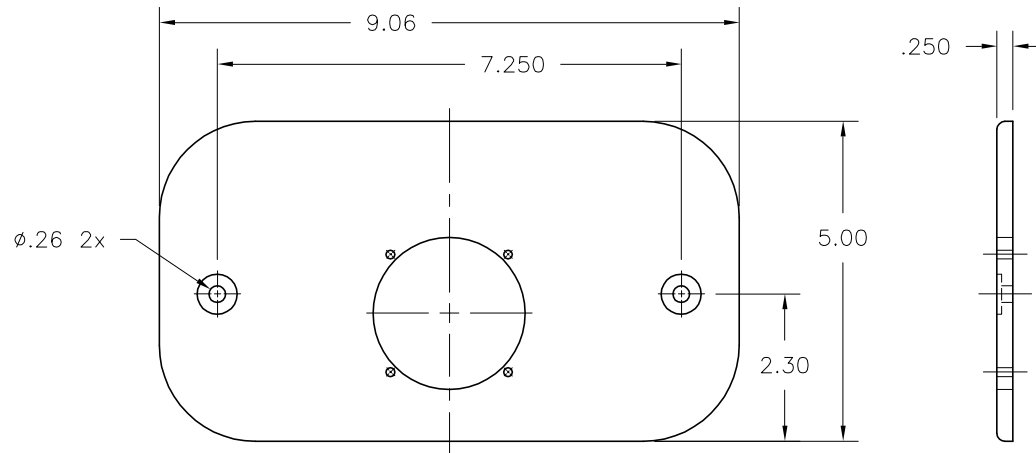


SPECIFICATIONS



The PBAP9X12 is an adapter plate designed to hold a push button and bolt to a large 9 x 12 push button frame. Should a push button ever need to be replaced, the old button can easily be removed and a new one installed without having to replace the plate as is often the case with other manufacturers products. It can be ordered in the standard colors: Black, Green or Yellow.

The mount comes powder coated. To designate color, replace "X" in part number with:

- "B" for Black
- "G" for Green
- "Y" for Yellow

INFORMATION ON THIS DOCUMENT IS PROPRIETARY TO POLARA AND SHALL NOT BE USED, COPIED, REPRODUCED OR DISCLOSED IN WHOLE OR IN PART WITHOUT WRITTEN CONSENT OF POLARA.

09-13-01	A	21776	BB							
Revised - 09/13/01										
REV. DATE	LTR	E.C.O. NO.	BY	CKR	ENG	DSN	MFG	QA	FNL	

POLARA ENGINEERING INC.
4115 W. ARTESIA AVE. FULLERTON, CA. 92833

TOLERANCES: .XXX ±.005 .XX ±.02 (EXCEPT AS NOTED) SCALE 1:3

DRAWN BY BB	CKR. CLM	ENG. MGR. LB	MFG. MGR. FB	SHEET 1 OF 1
DATE 08-09-01	DSN. ENG. WR	Q.A. APP. RVC	FINAL APP. JMc	USE

TITLE: 9x12 PUSH BUTTON ADAPTER PLATE DWG. NO. PBAP9X12-X