

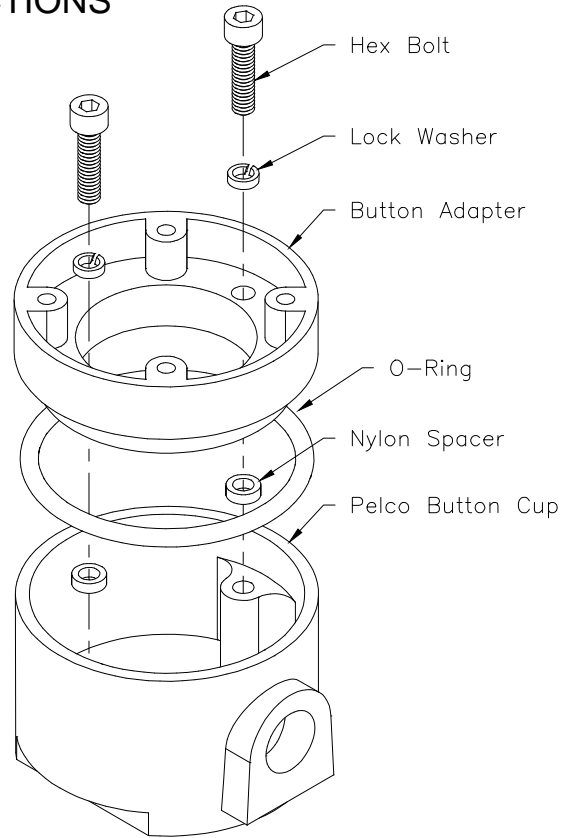
PELCO/TEECO ADAPTER INSTALLATION INSTRUCTIONS

Polara's adapter is designed to fit Pelco and Teeco cups and frames. Nylon spacers are supplied as an option to fill any gap between Polara's adapter and the cup's mounting holes. Use spacers only if needed, otherwise discard.

Place O-Ring around adapter and insert two hex bolts. Only tighten bolts until the lock washer is compressed. Over tightening can cause the adapter to crack. A cracked adapter is still usable but should be avoided.

Use the four #8-32 x $\frac{7}{8}$ " screws included with adapter kit to install the Bulldog to Button Adapter. (Discard the four #8-32 x 1" screws provided with the Bulldog.)

If you have any questions, please call:
Polara Engineering 888-340-4872



DOC. 350-009 REV. B23390 07/25/11 1PG

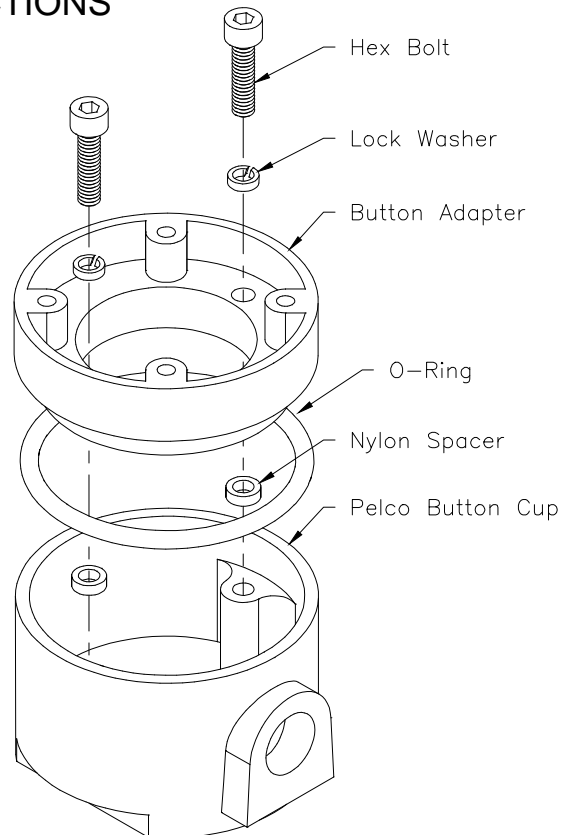
PELCO/TEECO ADAPTER INSTALLATION INSTRUCTIONS

Polara's adapter is designed to fit Pelco and Teeco cups and frames. Nylon spacers are supplied as an option to fill any gap between Polara's adapter and the cup's mounting holes. Use spacers only if needed, otherwise discard.

Place O-Ring around adapter and insert two hex bolts. Only tighten bolts until the lock washer is compressed. Over tightening can cause the adapter to crack. A cracked adapter is still usable but should be avoided.

Use the four #8-32 x $\frac{7}{8}$ " screws included with adapter kit to install the Bulldog to Button Adapter. (Discard the four #8-32 x 1" screws provided with the Bulldog.)

If you have any questions, please call:
Polara Engineering 888-340-4872



DOC. 350-009 REV. B23390 07/25/11 1PG